

# Bluetooth adapter



BT-1



BT-2

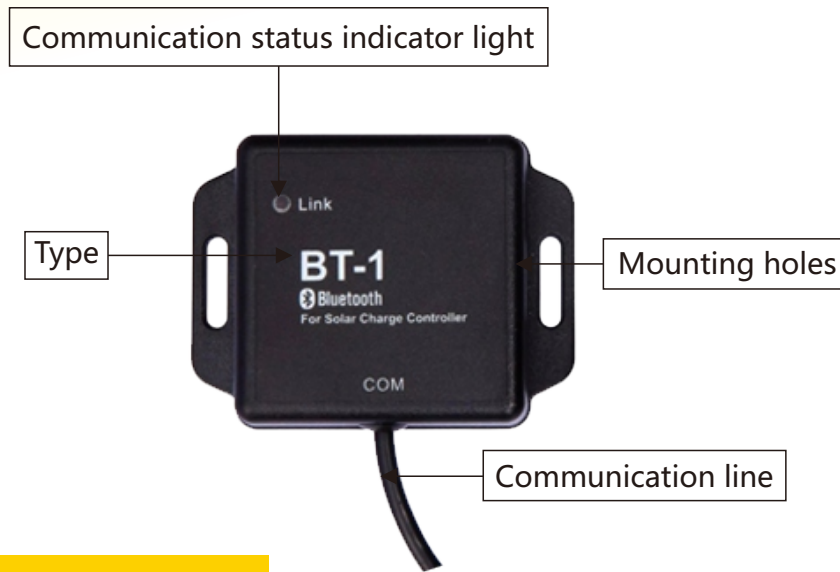
## Product introduction:

BT-1、 BT-2 is a suitable for our company solar controller extend bluetooth communication function of the bluetooth module, cooperate with mobile phone APP can be realized on the system of wireless monitoring, parameters setting and data view.

## Main features:

1. Realize the solar controller of wireless monitoring function
2. Support mobile phone APP, plug and play, simple setting
3. The use of high performance, low power consumption of the bluetooth special chip
4. Adopt bluetooth 4.0 and BLE technology, has the characteristics of rapid communication and strong anti-jamming capability
5. Without external power supply, power supply directly by the communication port
6. Communication distance of up to 15 meters
7. Products features

## Product introduction:



## Indicator light instruction:

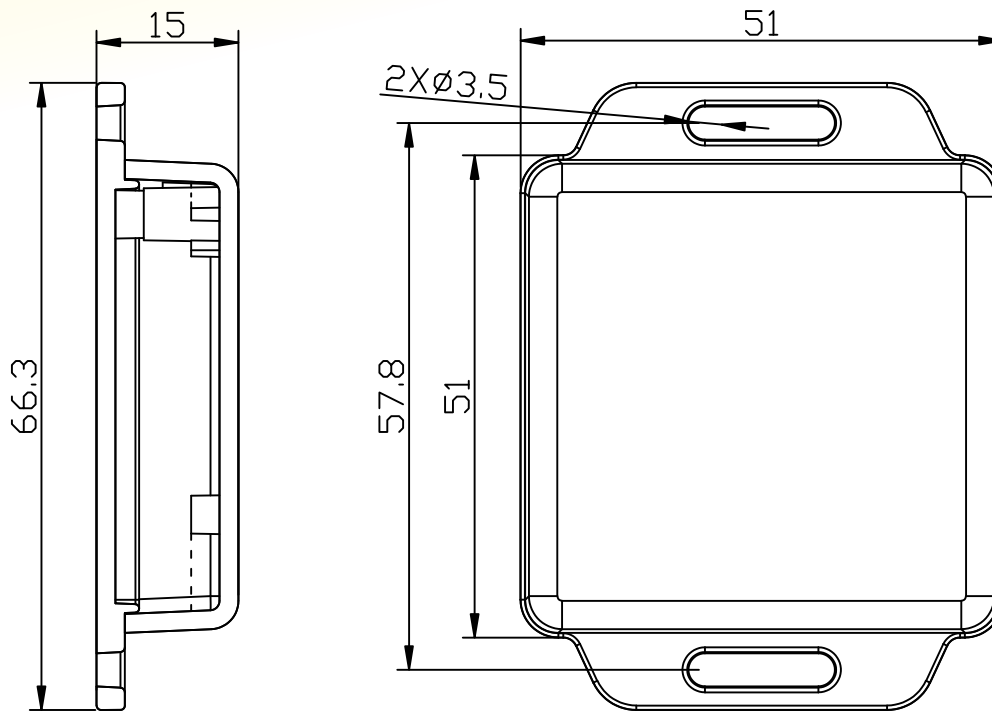
Indicator light	State		Explain
	BT-1	BT-2	
Link indicator light	Red blink	Blub blink	In the communication
	Put out		Idle state

## System wiring diagram:



**Note:** use a standard network cable (parallel cable) for connection.

## Product structure diagram:



## Technical parameters:

Model	BT-1
Input voltage	5V-12V
Standby power consumption	0.04W
Operating power consumption	0.05W
Communication distance	$\leq 15\text{m}$
Serial baud rate	Fixed baud rate 9600bps
Communication mode	RS232
Port type	RJ12
Connection cable	Standard network cable (parallel cable)
Dimensions	66*51*15.5mm
Installation dimensions	57.5, $\phi$ 3.2mm
Operating temperature	-20°C to 75°C
Protection degree	IP67
Net weight	120g