

# DC-AC Inverter

## Pure Sine Wave



**Model : DP-CR1000**

12V DC-110V/120V/220V/230V AC  
24V DC-110V/120V/220V/230V AC

### Socket Type :



### Features :

- Input & output fully insulated.
- High surge power: High starting surge current withstand capability for loads like fridge,camps,motors and other inductive loads.
- Soft start: smooth start-up of the appliances.
- output waveform: pure sine wave power for inductive loads.
- Very stable AC output .
- Cooling fan works automatically when inverter becomes too hot, it turns off automatically when the temperature is reduced.
- Low total harmonic distortion: below 3%.

### Protection Features :

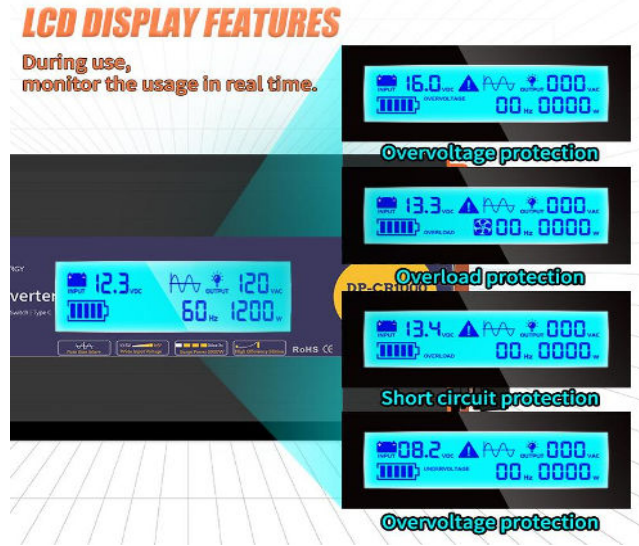
<b>OVER TEMPERATURE PROTECTION</b>	<b>LOW VOLTAGE PROTECTION</b>	<b>OVER VOLTAGE PROTECTION</b>
When working temperature raised too high, it will alarm and turn off automatically.	When battery voltage becomes too low, it will alarm and turn off automatically.	When battery voltage becomes too high, it will alarm and turn off automatically.
<b>OVERLOAD PROTECTION</b>	<b>SHORT CIRCUIT PROTECTION</b>	<b>REVERSE POLARITY PROTECTION</b>
When the inverter is overload, it will alarm and turn off automatically.	When the wiring is short circuit, it will alarm and turn off automatically.	When the battery connection is polarity reversed, it will alarm and turn off automatically.

### Quality Conformity :

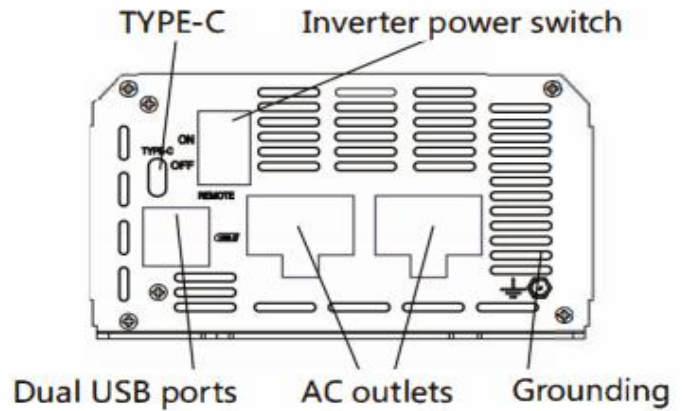
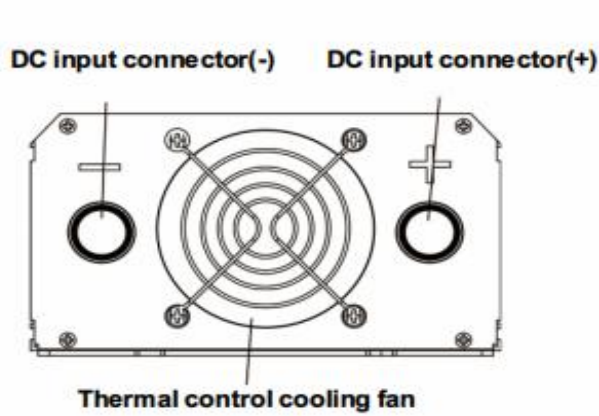
- LVD:** European Low Voltage Directive : 2014/30/EU  
Standard : EN 60950-1
- CE** **EMC:** European EMC Directive 2014/30/EU  
Standards: • EMI: EN55022,  
Class B ; EN61000-3-2, -3-3  
• EMS: EN55024; EN61000-4-2,  
-4-3, -4-4, -4-5, -4-6, -4-8, -11
- RoHS:** European Directive 2011/65/EU

Components:

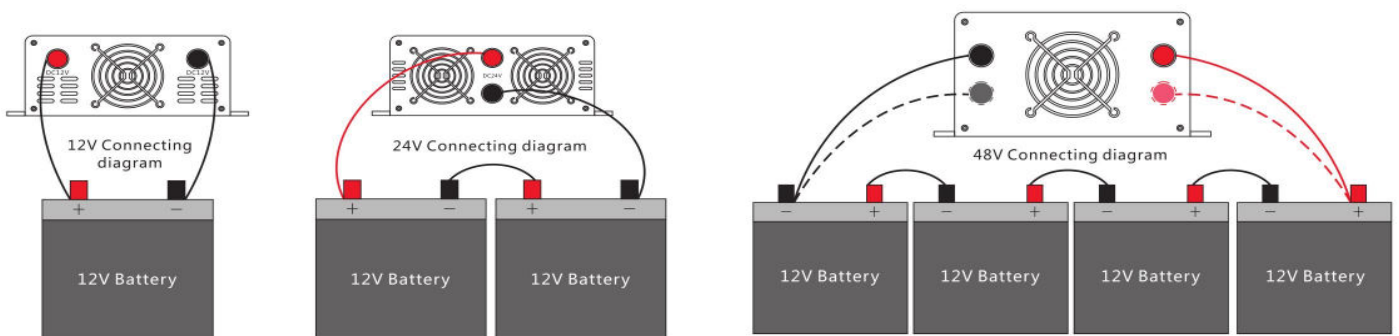
LCD display



Components description :



Battery Connection :



**Parameters :**

Output	Model	DP-CR1000-121	DP-CR1000-122	DP-CR1000-241	DP-CR1000-242
	Rated Power	1000W			
	Surge Power	2000W (few seconds)			
	Output Voltage	110VAC±5%	230VAC±10%	110VAC±5%	230VAC±5%
	Frequency	60Hz±1Hz			
	Output Waveform	Pure Sine Wave			
	Total Harmonic Distortion	THD<3% (Linear Load)			
Input	Rated Input Voltage	12VDC		24VDC	
	Input Voltage Range	9.5-16V		19-32V	
	Input Current At No Load	0.7±0.1A		0.8±0.1A	
	Low Input Voltage Alarm	10±0.5V		20±0.5V	
	Low Input Voltage Shut Down	9.5±0.5V		19±0.5V	
	Low Input Voltage Recovery	12.5±0.5V		25±0.5V	
	High Input Voltage Shut Down	16±0.5V		32±0.5V	
	High Input Voltage Recovery	14V±0.5V		28V±0.5V	
Connection	Output	Different socket type optional			
	Type-C	20W			
	Remote	Remote controller optional			
	2 USB Voltage	5.±0.2V			
	USB Output current	3.4A			
	Soft Start	YES			
	Output Efficiency	>90% (At full load)			
General	Cooling Way	Temperature controlled fan. Fan ON at 45°C ; Fan OFF at 42°C (sensed at internal hot spot)			
	Protection	Battery Low Voltage & Over Voltage, Over Load, Over Temperature, Short Circuit, Reverse Polarity			
	Working Temperature	0°C - +45°C			
	Net Dimension	26*12.5*7cm (L×W×H)			
	Inner Box Dimension	29*16*11.5CM (L×W×H)			
	N.W./Unit	1.45kg			
	G.W./Ctn	1.7KG			
	Packing	Colour box			
Warranty	2 Years				

NOTE: Specifications are subject to change without notice