

# DC-AC Inverter

## Pure Sine Wave



**Model : DP-CR2000**

12V DC-110V/120V/220V/230V AC  
 24V DC-110V/120V/220V/230V AC

### Socket Type :



### Features :

- Input & output fully insulated.
- High surge power: High starting surge current withstand capability for loads like fridge,camps,motors and other inductive loads.
- Soft start: smooth start-up of the appliances.
- output waveform: pure sine wave power for inductive loads.
- Very stable AC output .
- Cooling fan works automatically when inverter becomes too hot, it turns off automatically when the temperature is reduced.
- Low total harmonic distortion: below 3%.

### Protection Features :

|   |   |   |
|---|---|---|
|   |   |   |
| <b>OVER TEMPERATURE PROTECTION</b>  | <b>LOW VOLTAGE PROTECTION</b>   | <b>OVER VOLTAGE PROTECTION</b>  |
| When working temperature raised too high, it will alarm and turn off automatically. | When battery voltage becomes too low, it will alarm and turn off automatically. | When battery voltage becomes too high, it will alarm and turn off automatically.            |
|   |   |   |
| <b>OVERLOAD PROTECTION</b>  | <b>SHORT CIRCUIT PROTECTION</b>   | <b>REVERSE POLARITY PROTECTION</b>  |
| When the inverter is overload, it will alarm and turn off automatically.            | When the wiring is short circuit, it will alarm and turn off automatically.     | When the battery connection is polarity reversed, it will alarm and turn off automatically. |

### Quality Conformity :

- LVD:** European Low Voltage Directive : 2014/30/EU  
 Standard : EN 60950-1
- EMC:** European EMC Directive 2014/30/EU  
 Standards: • EMI: EN55022, Class B ; EN61000-3-2, -3-3  
 • EMS: EN55024; EN61000-4-2, -4-3, -4-4, -4-5, -4-6, -4-8, -11
- RoHS:** European Directive 2011/65/EU

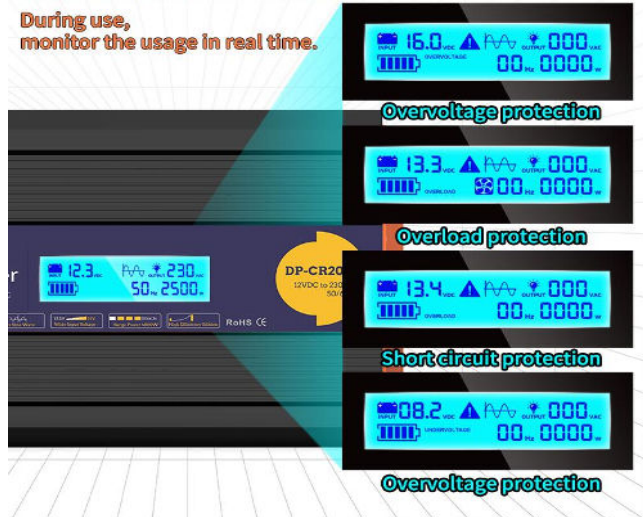
Components:

LCD display



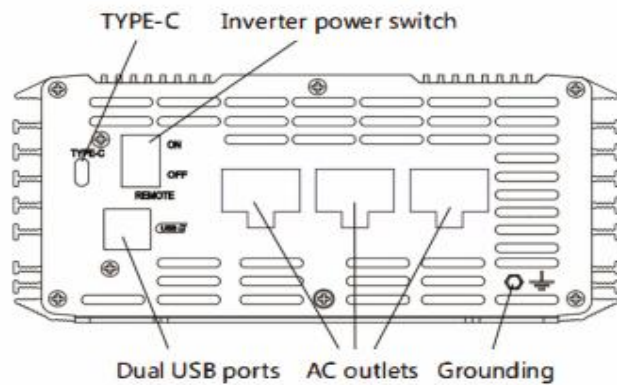
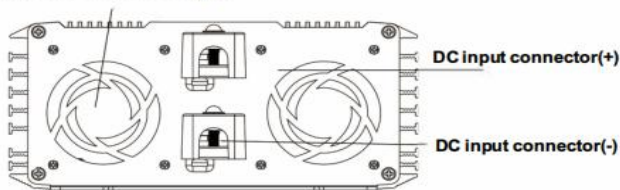
### LCD DISPLAY FEATURES

During use, monitor the usage in real time.

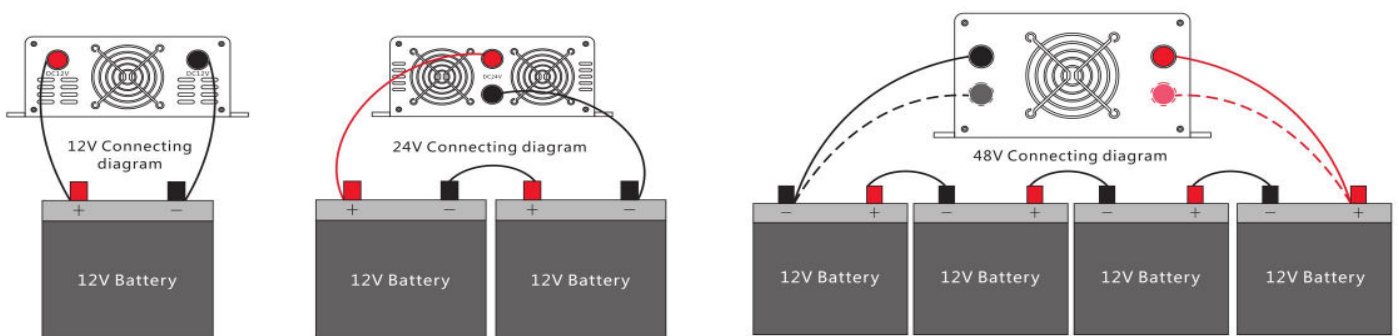


Components description :

#### Thermal control cooling fan



Battery Connection :



**Parameters :**

|                              | Model                     | DP-CR2000-121  | DP-CR2000-122 | DP-CR2000-241 | DP-CR2000-242 |
|------------------------------|---------------------------|--|---------------|---------------|---------------|
| Output                       | Rated Power               | 2000W  |               |               |               |
|                              | Surge Power               | 4000W (few seconds)  |               |               |               |
|                              | Output Voltage            | 110VAC±5%  | 230VAC±10%    | 110VAC±5%     | 230VAC±10%    |
|                              | Frequency                 | 60Hz±1Hz   |               |               |               |
|                              | Output Waveform           | Pure Sine Wave   |               |               |               |
|                              | Total Harmonic Distortion | THD<3% (Linear Load)   |               |               |               |
|                              | Input                     | Rated Input Voltage  | 12VDC         |               | 24VDC         |
| Input Voltage Range          |                           | 9.5-16V  |               | 19-32V        |               |
| Input Current At No Load     |                           | 0.7±0.1A   |               | 0.8±0.1A      |               |
| Low Input Voltage Alarm      |                           | 10±0.5V  |               | 20±0.5V       |               |
| Low Input Voltage Shut Down  |                           | 9.5±0.5V   |               | 19±0.5V       |               |
| Low Input Voltage Recovery   |                           | 12.5±0.5V  |               | 25±0.5V       |               |
| High Input Voltage Shut Down |                           | 16±0.5V  |               | 32±0.5V       |               |
| High Input Voltage Recovery  |                           | 14V±0.5V   |               | 28V±0.5V      |               |
| Connection                   | Output                    | Different socket type optional   |               |               |               |
|                              | Type-C                    | 20W  |               |               |               |
|                              | Remote                    | Remote controller optional   |               |               |               |
|                              | 2 USB Voltage             | 5.±0.2V  |               |               |               |
|                              | USB Output current        | 3.4A   |               |               |               |
|                              | Soft Start                | YES  |               |               |               |
|                              | Output Efficiency         | > 90% (At full load)   |               |               |               |
| General                      | Cooling Way               | Temperature controlled fan. Fan ON at 45°C ;<br>Fan OFF at 42°C (sensed at internal hot spot)    |               |               |               |
|                              | Protection                | Battery Low Voltage & Over Voltage, Over Load, Over Temperature, Short Circuit, Reverse Polarity |               |               |               |
|                              | Working Temperature       | 0°C - +45°C  |               |               |               |
|                              | Net Dimension             | 26*12.5*7cm (L×W×H)  |               |               |               |
|                              | Inner Box Dimension       | 39.7*25.3*15.5CM (L×W×H)   |               |               |               |
|                              | N.W./Unit                 | 3.9kg  |               |               |               |
|                              | G.W./Ctn                  | 4.85KGs  |               |               |               |
|                              | Packing                   | Colour box   |               |               |               |
| Warranty                     | 2 Years                   |  |               |               |               |

NOTE: Specifications are subject to change without notice